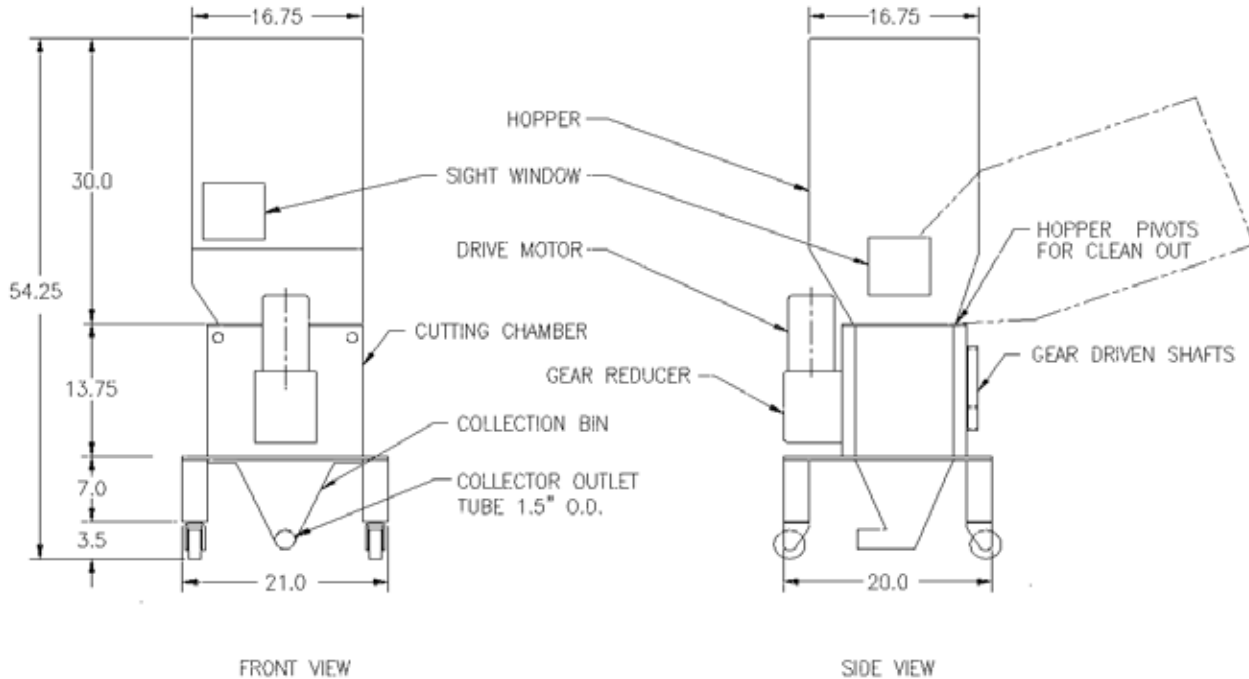


BI-CUTTER SCREENLESS GRANULATORS
MODEL: SR1013

Patent # 6,450,427



Machine Specifications SR1013 (specifications are subject to change without notice)

Cutting Chamber W x L	10" x 13"	Shipping Weight ^	465 lb.
Motor Horsepower	1HP/.75kW	Throughput Per Hour*^	Up to 35 lb.
Rotation Speed of S-Blade (Upper/First Stage)	18 RPM	Collector Bin Capacity*^	Up to 8 lb.
Rotation Speed of Rotary Cutter (Lower/Second Stage)	60 RPM	Custom Options: (including but not limited to the following)	Electrical Options: including but not limited to the following:
Standard Gear Ratio	30:1	3x5mm, 4x5mm, 5x6mm, 6x8mm Cutters	Auto-Stop Reverse
Rotary Cutter and Granule Size (Lower/Second Stage)	(6x6mm) 1/4" x 1/4"	Hoppers, Magnet, Bases	Nema- 12
		Collectors, Take-Out Tube	Strobe Light
		Color	Horn
		Gear Ratio, Cleanroom	Proximity Switch
		Pellet Mover Systems	
		Fine Separator Systems	
		Blower Evacuation System	

*Throughput and capacity will vary depending on material type, diameter and size of runner. It is also dependent on cutter size and gear ratio provided.

^ Based on standard unit, custom features or options may change information provided.